



Self-Propelled **TURBOMIX**

20-30 m³

| High speed, maximum efficiency

RMH mixers are designed for maximum efficiency and reliability. With advanced features and a focus on seamless operation, they provide exceptional service and performance to maximize uptime.



Eco

Smart engine management for reduced fuel use and lower emissions.



Milk Booster

Boosts milk output by 3–5% compared to trailers.



Operator Environment

Height-adjustable cabin for unmatched visibility & all day comfort with an ergonomic design.



TMR

Uniform mix with optimal fiber length for better intake and healthier herds.



Advanced Drive System

Full four-wheel drive and steering for confident navigation in any terrain.



Worldwide Service

Trusted components & dealer network ensure easy maintenance and maximum uptime.

**Based on comparative studies with leading competitor models. Results may vary based on operational conditions.*



Smart Service Access

- Quick-access engine area.
- Comprehensive worldwide parts availability.
- Local expert technical support.
- Low maintenance for maximum uptime.
- Time Saver.



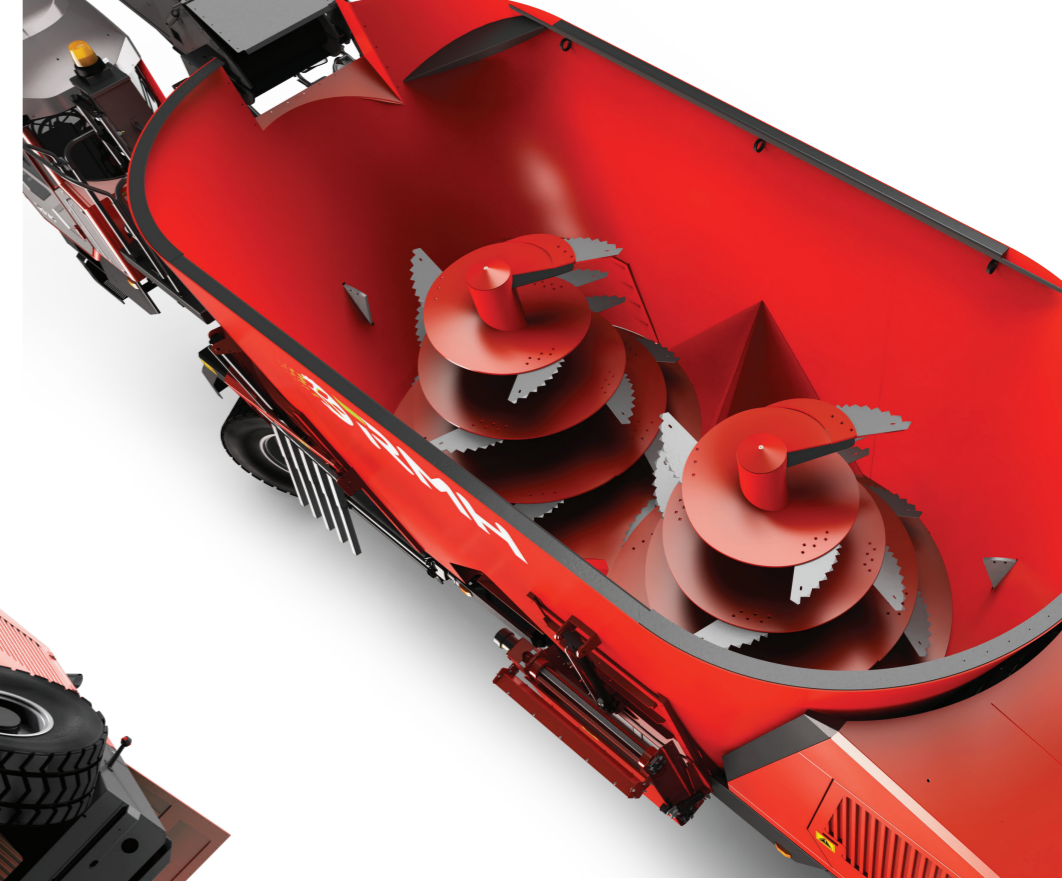
Operator Environment

- 360° visibility with height-adjustable cabin.
- Ergonomic work area.
- Multi-camera system (rear, mixing chamber, optional sides).
- Advanced suspension for all-day comfort.



Advanced Drive System

- 4x4 drive & 4-wheel steering for manoeuvrability.
- Crab mode for narrow spaces.
- Superior ground clearance and traction for challenging terrains.
- Enhanced stability in all conditions.
- On road capabilities.



Perfect Mix

- Overlapping vertical augers.
- Integrated contra-knife for quicker mixing.
- Ensures homogeneous mix.
- Mixing bin top options (cover/fiber).
- 3CR12 stainless steel option.



SafeFeed

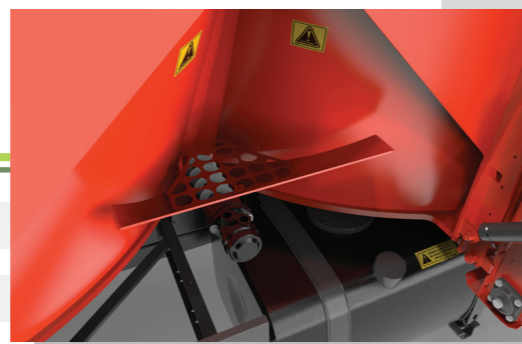
Customizable distribution system: up to 4 doors and 3 portable conveyors for even feed distribution.

Powerful magnets protecting cattle from metallic particles.



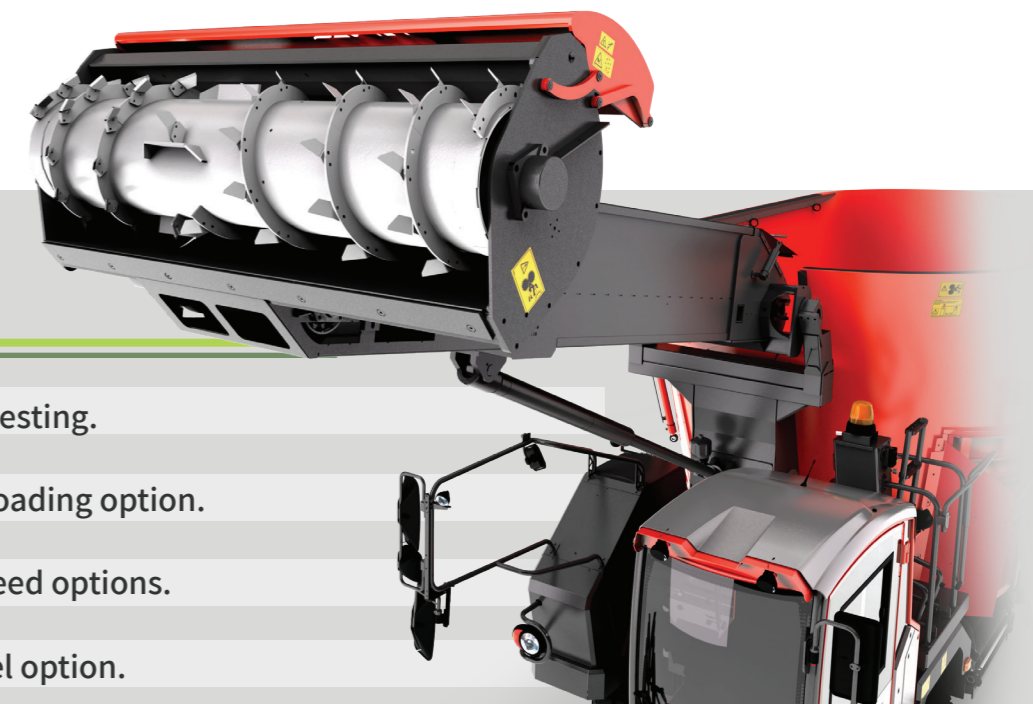
Vitamins Compartment

- Easy to add supplements.
- Enrich cattle yield and save time.



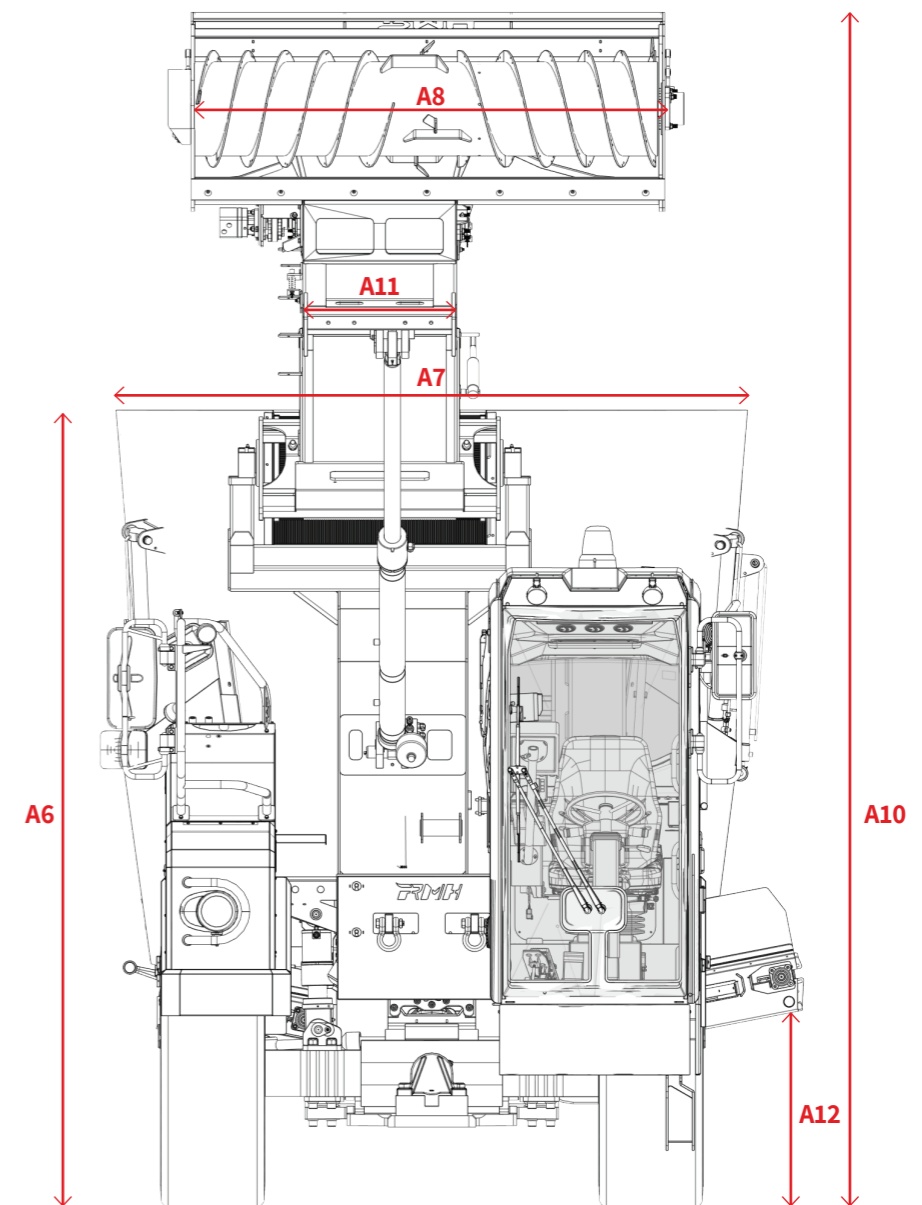
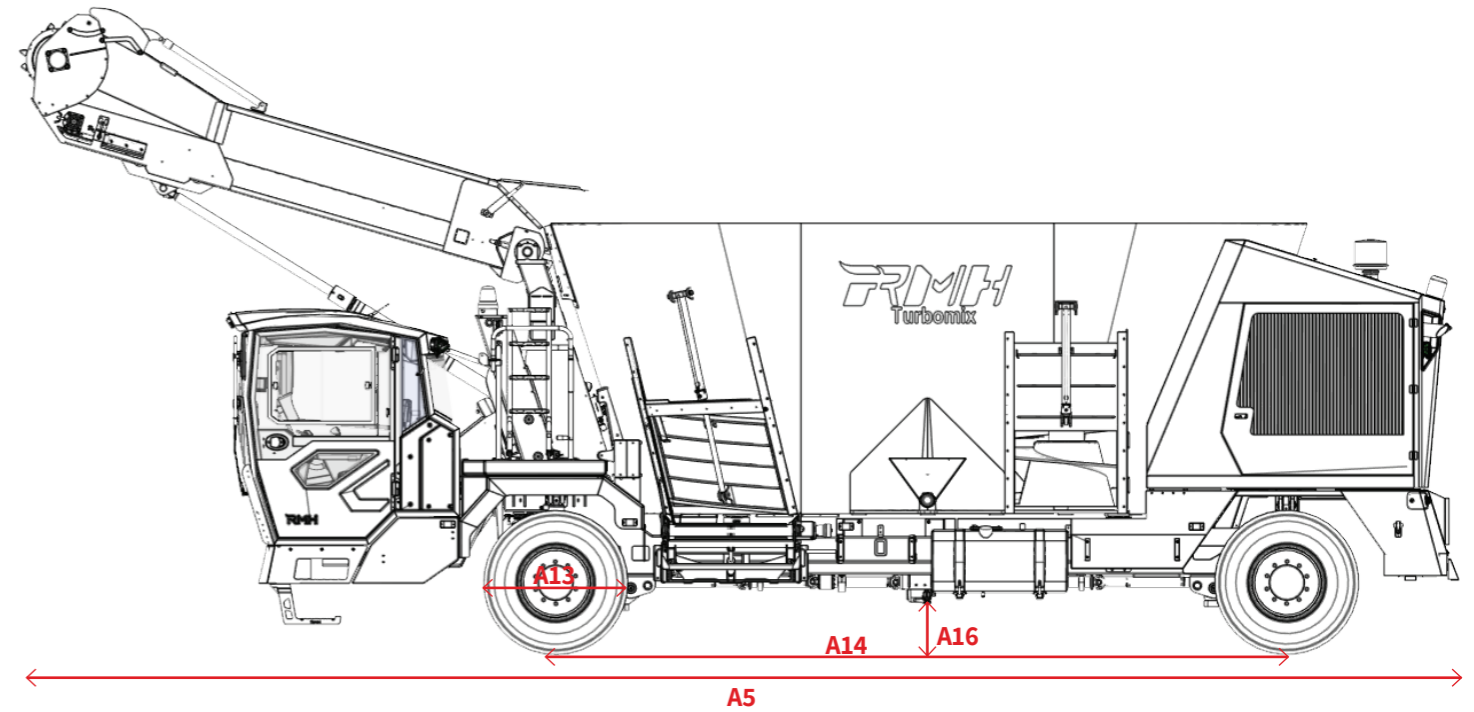
CutControl

- Advanced feed harvesting.
- Automatic precise loading option.
- Multiple loading speed options.
- 3CR12 stainless steel option.



TURBOMIX Technical Specifications

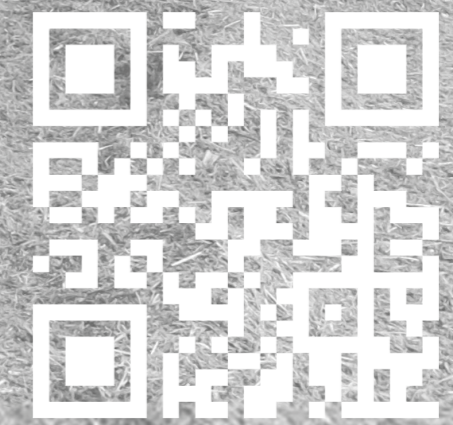
A	Specifications	Turbomix 20	Turbomix 22	Turbomix 24	Turbomix 26	Turbomix 28	Turbomix 30
1	Volume [cu. mt.]	20	22	24	26	28	30
2	Max Load [kg]	8000	8800	9600	10400	11200	12000
3	Engine H.P	218/208		286/268			
4	Engine Manufacturer	Volvo/Deutz					
5	Overall Length [mm]	10330	10105	10105	10895	10895	10800
6	Overall Height [mm]	2860	3170	3190	3455	3420	3620
7	Overall Width [mm]	2710	2480	2780	2500	2730	2800
8	Chopper Width [mm]	2014					
9	Chopper Dia. [mm]	600					
10	Chopper Height [mm]	4860	4330	4330	4800/6000	4800/6000	6000
11	Loading Elevator Belt [mm]	650					
12	Discharge Height [mm]	810					
13	Wheel Dia. [mm]	1150					
14	Wheel Base [mm]	5840					
15	Steering Radius [mm]	7250					
16	Ground Clearance [mm]	275					
17	Front Steering	Yes					
18	4 Wheel Steering	Yes					
19	Driving Speed [KPH]	40					
20	No. of STD Choper Knives	66					
21	No. of STD Mixer Knives	14	15	16	17	18	15
22	Bin Wall Thickness [mm]	6	7	8	9	10	11
23	Mixer Segment Thickness [mm]	16 / 14	17 / 14	18 / 14	19 / 14	20 / 14	21 / 14
24	Mixer Speed [rpm]	15-44	15-45	15-46	15-47	15-48	15-49
25	Elevated Cab.	Optional (GOLD)					
26	3CR12 Option	Bin, Augers, Chopper, Loading Elevator					





WWW.RMHMIXER.COM | INFO@RMHMIXER.COM

INDUSTRIAL ZONE SDEROT, P.O.B 105, 80100, ISRAEL



Follow Us

Engineered for Performance, Backed by Service. Contact us for a personalized demo and experience the RMH difference!

In the event of any inconsistency between the English version and any translation, the English version shall prevail. Specifications, configurations, and dimensions are subject to change without notice and may vary based on product customization.

BR0full catalog 29092025